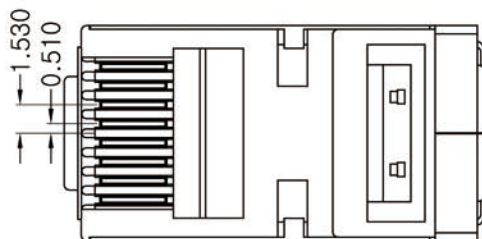
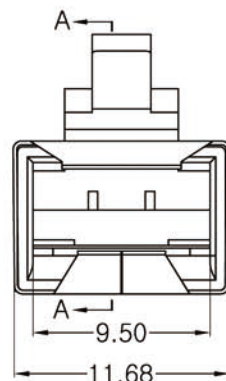
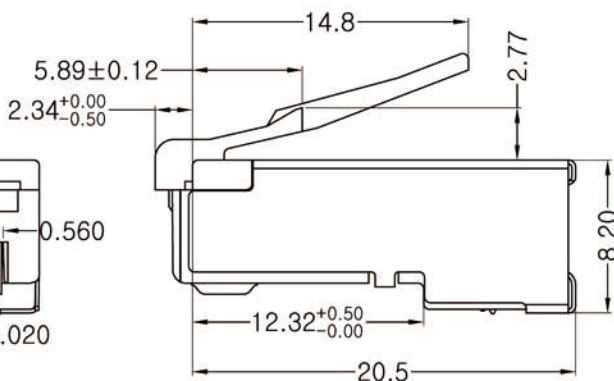
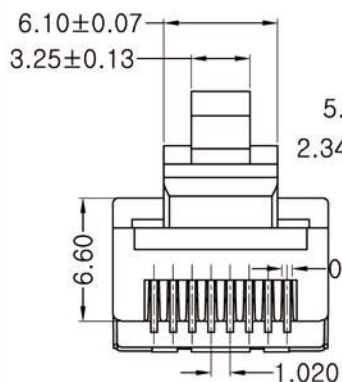


NOTES:

1. Operation Temperature:  $-40^{\circ}\text{C} \sim +85^{\circ}\text{C}$ .
2. Electrical Characteristics:
  - 2.1>Rated Current: 125V AC, 1.5A@25°C.
  - 2.2>Contact Resistance: 20mΩ Max.
  - 2.3>Insulation Resistance: 500MΩ Min, 100V DC/min.
  - 2.4>Voltage Proof: 1000V AC/1 minute no breakdown.
3. Mechanical Characteristics:
  - 3.1>Insertion Force & Withdrawal Force: 30N Max.
  - 3.2>Durability: 750 cycles Min.
4. Environmental compliance:
  - 4.1>the products are compliant with the RoHS, and REACH etc.



Modular Plug	Shell	1PCS	43*20**09	Square hole	Au: G/F <input type="checkbox"/> 1u" <input type="checkbox"/> 3u" <input type="checkbox"/> Ni: 80u" <input checked="" type="checkbox"/>	Brass <input checked="" type="checkbox"/> Spcc <input type="checkbox"/>
	Contacts	8PCS	/	2Prongs <input type="checkbox"/> 3Prongs <input checked="" type="checkbox"/>	G/F <input type="checkbox"/> 1u" <input type="checkbox"/> 3u" <input type="checkbox"/> 6u" <input type="checkbox"/> 15u" <input type="checkbox"/> 30u" <input type="checkbox"/> 50u" <input checked="" type="checkbox"/> OTHER <input type="checkbox"/>	Brass <input type="checkbox"/> Phosphor copper <input checked="" type="checkbox"/>
	Housing	1PCS	21*1567**	CAT6/FTP		94V-2 <input checked="" type="checkbox"/> 94V-0 <input type="checkbox"/>

<b>teletronic®</b>		PRODUCT NO	DESCRIPTION		CAT6/FTP		
MATERIAL	/	UNIT	mm	SCALE	1:1	DATE	08.01.2017
DIMENSIONAL TOLERANCE		THIRD ANGLE PROJECTION		DRAWN		CHECK	
X.X	±0.2			APPRO.		APPRO.	
X.XX	±0.10			APPRO.			
X.XXX	±0.05			APPRO.			
ANGLE	±2°						