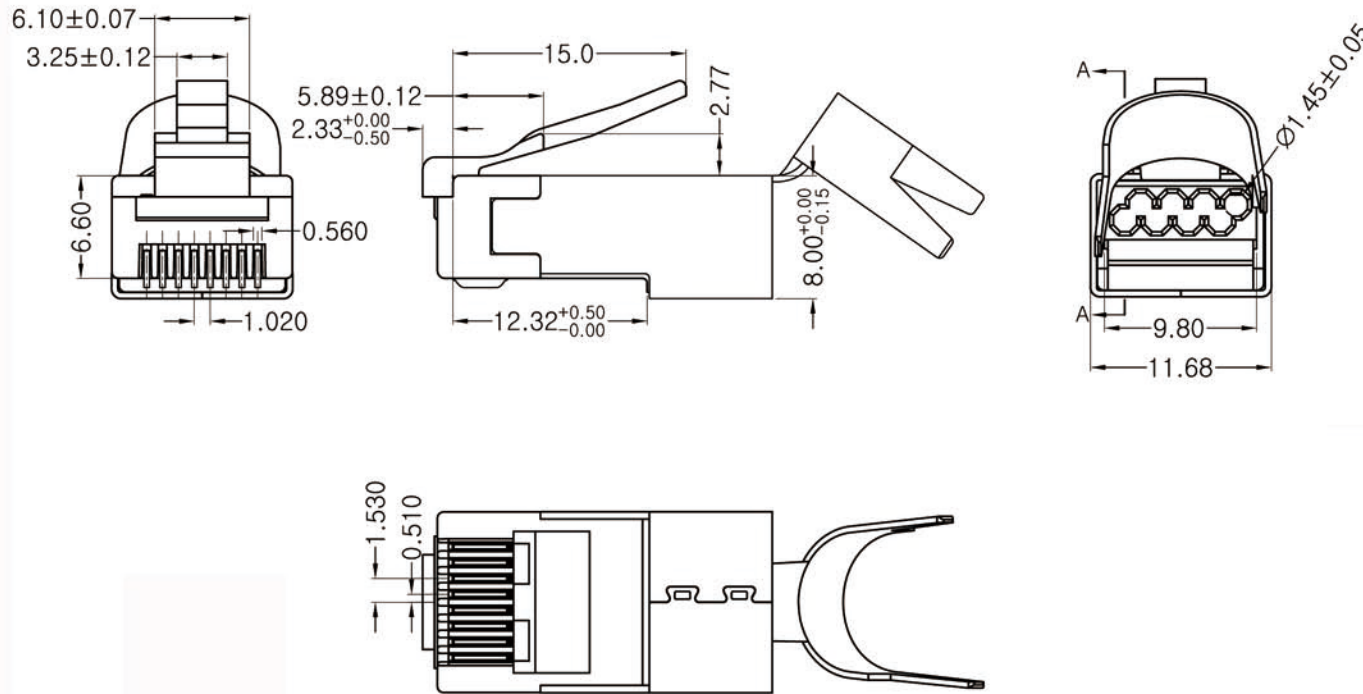


NOTES:

1. Operation Temperature: $-40^{\circ}\text{C} \sim +85^{\circ}\text{C}$.
2. Electrical Characteristics:
 - 2.1>Rated Current: 125V AC, 1.5A@ 25°C .
 - 2.2>Contact Resistance: 20m Ω Max.
 - 2.3>Insulation Resistance: 500M Ω Min, 100V DC/min.
 - 2.4>Voltage Proof: 1000V AC/1 minute no breakdown.
3. Mechanical Characteristics:
 - 3.1>Insertion Force & Withdrawal Force: 30N Max.
 - 3.2>Durability: 750 cycles Min.
4. Environmental compliance:
 - 4.1>the products are compliant with the RoHS, and REACH etc.



Modular Plug	Shell	1PCS	45*40**06	Square hole	Au: G/F□1u□3u□Ni:80u□ <input checked="" type="checkbox"/>	Brass <input checked="" type="checkbox"/> Spcc <input type="checkbox"/>
	Contacts	8PCS	/	2Prongs <input type="checkbox"/> 3Prongs <input checked="" type="checkbox"/>	G/F□1u□3u□6u□ 15u□30u□50u□ <input checked="" type="checkbox"/> OTHER <input type="checkbox"/>	Brass <input type="checkbox"/> Phosphor copper <input checked="" type="checkbox"/>
	Housing	1PCS	21*0071**	CAT7/FTP		94V-2 <input checked="" type="checkbox"/> 94V-0 <input type="checkbox"/>

teletronic [®]		PRODUCT NO		DESCRIPTION		CAT7/FTP	
MATERIAL	/	UNIT	mm	SCALE	1:1	DATE	08.01.2017
DIMENSIONAL TOLERANCE			THIRD ANGLE PROJECTION			DRAWN	
X.X	±0.2				CHECK		
X.XX	±0.10				APPRO.		
X.XXX	±0.05						
ANGLE	±2°						