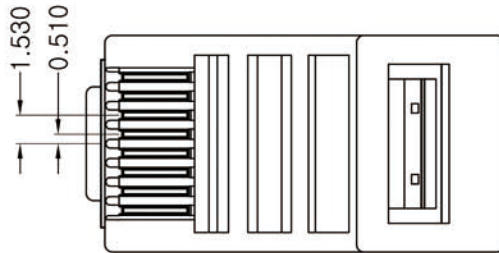
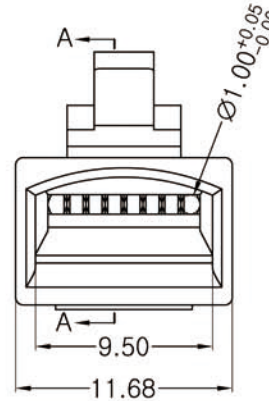
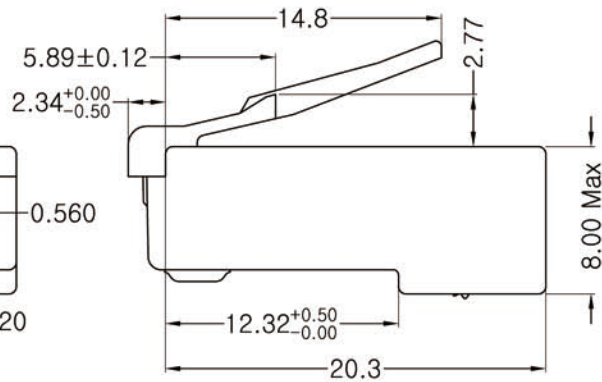
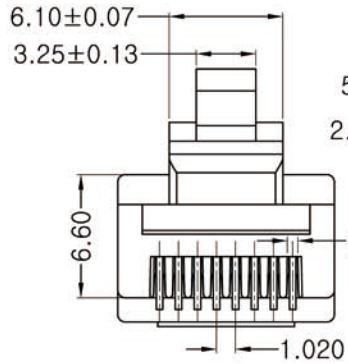


NOTES:

1. Operation Temperature: $-40^{\circ}\text{C} \sim +85^{\circ}\text{C}$.
2. Electrical Characteristics:
 - 2.1>Rated Current: 125V AC, 1.5A@25°C.
 - 2.2>Contact Resistance: 20mΩ Max.
 - 2.3>Insulation Resistance: 500MΩ Min, 100V DC/min.
 - 2.4>Voltage Proof: 1000V AC/1 minute no breakdown.
3. Mechanical Characteristics:
 - 3.1>Insertion Force & Withdrawal Force: 30N Max.
 - 3.2>Durability: 750 cycles Min.
4. Environmental compliance:
 - 4.1>the products are compliant with the RoHS, and REACH etc.



RJ 45 UTP Cat 5e CONNECTOR

teletronic [®]		PRODUCT NO	DESCRIPTION		CAT5E/UTP				
		MATERIAL	/	UNIT	mm	SCALE	1:1	DATE	08.01.2017
DIMENSIONAL TOLERANCE		THIRD ANGLE PROJECTION		DRAWN		CHECK		APPRO.	
X.X ±0.2				X.XX ±0.10		X.XXX ±0.05		ANGLE ±2°	
X.XXX ±0.05				X.XXX ±0.05		ANGLE ±2°			

Modular Plug	Contacts	8PCS	/	2Prongs <input type="checkbox"/> 3Prongs <input checked="" type="checkbox"/>	G/F" <input type="checkbox"/> 1u" <input type="checkbox"/> 3u" <input type="checkbox"/> 6u" <input type="checkbox"/> 15u" <input type="checkbox"/> 30u" <input type="checkbox"/> 50u" <input checked="" type="checkbox"/> OTHER <input type="checkbox"/>	Brass <input checked="" type="checkbox"/> Phosphor copper <input type="checkbox"/>
	Housing	1PCS	20*3188**	MP8P8C/UTP	94V-2 <input checked="" type="checkbox"/> 94V-0 <input type="checkbox"/>	
NAME	QTY	PART NO.	DESCRIPTION		MATERIAL	